

# Series CTB Wet Drum PM Separator

---

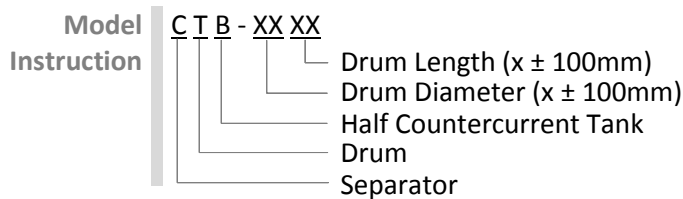
## Specification

English Version  
For reference only

**General Introduction** The CTB series wet drum permanent magnetic separator is used to separate the wet magnetic particles or eliminate the magnetic waste from non-magnetic mineral. CTB Series is equipped with Half-Countercurrent Tank.



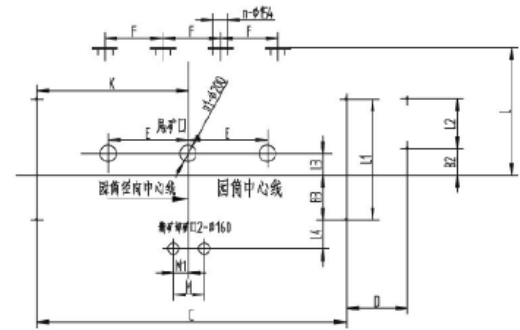
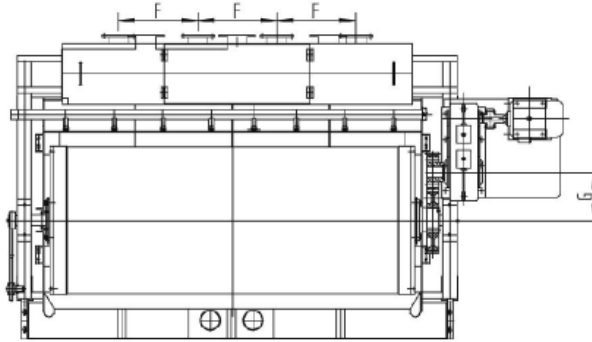
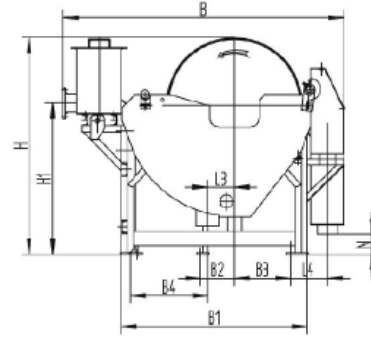
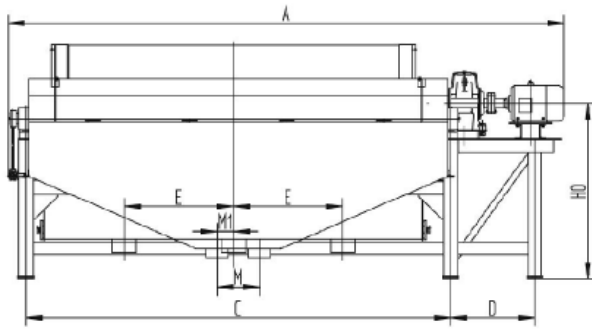
- Features**
- Advanced design of magnetic circuit, reliable performance
  - Tank design based on the computer-simulation of fluid flow; prevent the blocking of the pulp in an efficient way.
  - Stable and reliable driving device, no malfunction or breakdown for a long time.



**Specification Table**

Model	Drum Size (D x L)	Drum Surface Magnetic Induction intensity	Process Capacity		Motor Power	Drum Revolving Speed	Unit Weight
	mm		ton/h	m <sup>3</sup> /h			
CTB-618	600 × 1800	The Magnetic induction intensity is based on the type of mineral. Able to design according to custom specification	15-30	40-80	2.2	40	1340
CTB-718	750 × 1800		20-45	60-100	3	35	2100
CTB-918	900 × 1800		25-40	70-120	4	28	2900
CTB-1018	1050 × 1800		45-60	110-160	5.5	22	4000
CTB-1021	1050 × 2100		50-70	140-200	5.5	22	4500
CTB-1024	1050 × 2400		60-80	170-260	5.5	22	5000
CTB-1030	1050 × 3000		80-120	240-380	7.5	22	6300
CTB-1218	1200 × 1800		60-75	160-260	11	17	5000
CTB-1224	1200 × 2400		80-110	240-330	11	17	5900
CTB-1230	1200 × 3000		100-140	260-460	11	17	7200
CTB-1236	1200 × 3600		120-160	300-550	15	17	8200
CTB-1240	1200 × 4000		130-170	330-600	15	17	9200
CTB-1245	1200 × 4500		150-200	380-660	15	17	11000
CTB-1530	1500 × 3000		100-180	290-480	11	14	9900
CTB-1540	1500 × 4000		150-200	300-540	15	14	12000
CTB-1545	1500 × 4500		180-240	400-650	18.5	14	15000
CTB-1550	1500 × 5000	210-280	500-750	18.5	14	18000	
CTB-1824	1800 × 2400	100-140	260-460	15	14	9100	
CTB-1830	1800 × 3000	140-190	350-560	18.5	14	12300	
CTB-1840	1800 × 4000	200-260	400-650	30	14	18500	
CTB-1850	1800 × 5000	280-320	550-800	37	14	25000	

**Outline Dimension & Installation**



Model	A	B	B1	B2	B3	n	C	D	E	F	n1	H	H0	H1	K	L	L1	L2	L3	L4	M
	mm	mm	mm	mm	mm	mm	mm	mm	mm	mm	mm	mm	mm	mm	mm	mm	mm	mm	mm	mm	mm
CTB-1018	3050	2020	1300	/	480	2	2250	/	800	750	2	1595	1276	1107	/	1190	1200	/	180	/	/
CTB-1021	3350	2020	1300	/	480	2	2550	/	1000	900	2	1595	1276	1107	/	1190	1200	/	180	/	/
CTB-1024	3660	2020	1300	/	480	3	2850	/	1250	600	2	1595	1276	1107	/	1190	1200	/	180	/	1375
CTB-1030	4395	2020	1300	/	480	3	3150	/	1550	750	2	1595	1276	1107	/	1190	1200	/	180	/	1675
CTB-1218	3380	2500	1655	300	499	2	2600	690	1050	750	2	1930	1445	1343	1260	1442	1359	565	240	328	350
CTB-1224	3980	2500	1655	300	499	2	2900	690	1200	675	2	1930	1445	1343	1410	1442	1359	565	240	328	350
CTB-1230	4580	2500	1655	300	499	3	3500	690	900	650	3	1930	1445	1343	1710	1442	1359	565	240	328	350
CTB-1236	5180	2500	1655	300	499	4	4100	690	900	850	4	1930	1445	1343	2010	1442	1359	565	240	328	350
CTB-1240	5630	2500	1655	300	499	4	4500	690	820	1000	5	1930	1445	1343	2210	1442	1359	565	240	328	350
CTB-1245	6080	2500	1655	300	499	4	5000	690	920	1060	5	1930	1445	1343	2460	1442	1359	565	240	328	350
CTB-1530	4510	2730	1960	300	658	4	3500	690	660	660	4	2250	1620	1650	1710	1615	1665	560	230	304	1500
CTB-1540	5510	2730	1960	300	658	4	4500	690	935	1000	4	2250	1620	1650	2210	1615	1665	560	230	304	2700
CTB-1545	6380	2730	1960	300	658	4	5220	690	1060	1150	4	2250	1643	1650	2540	1615	1665	660	230	324	3000
CTB-1550	6880	2730	1960	300	658	5	5720	690	920	1200	5	2250	1643	1650	2740	1615	1665	660	230	324	3000
CTB-1824	4170	3115	2300	337	767	3	2980	755	690	675	3	2670	1890	1780	1490	1850	1960	685	300	324	350
CTB-1830	4790	3115	2300	337	767	4	3580	755	700	660	4	2670	1890	1780	1660	1850	1960	685	300	338	350
CTB-1840	5998	3070	2300	337	767	3	4720	755	1000	1200	4	2690	1916	/	2290	/	1960	685	360	338	2220
CTB-1850	7480	3070	2260	337	765	4	5780	755	900	1200	5	2500	2068	/	2790	/	1960	860	360	338	3600